

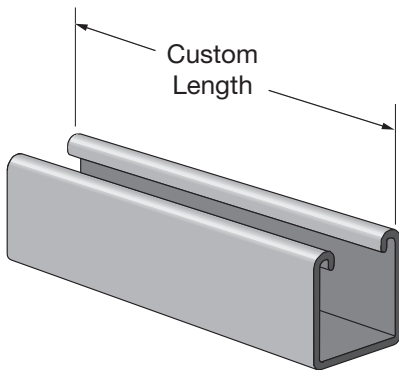
YOUR SOLUTIONS PROVIDER

IUBS | INDUSTRIES

Prefabrication and Customization

We Can Provide Your Order Cut to Size, Cut to Size and Assembled, and Cut to Size and Kitted

Custom Cut Channel



UBS can provide our channel in custom lengths to your specifications. Ready-to-install custom lengths can save time and cost on the job site, reduce scrap, and reduce errors in the field.

Custom lengths are available at any length from 2" to 20' with a $\pm 1/8$ " tolerance. In some cases we can provide lengths greater than 20'.

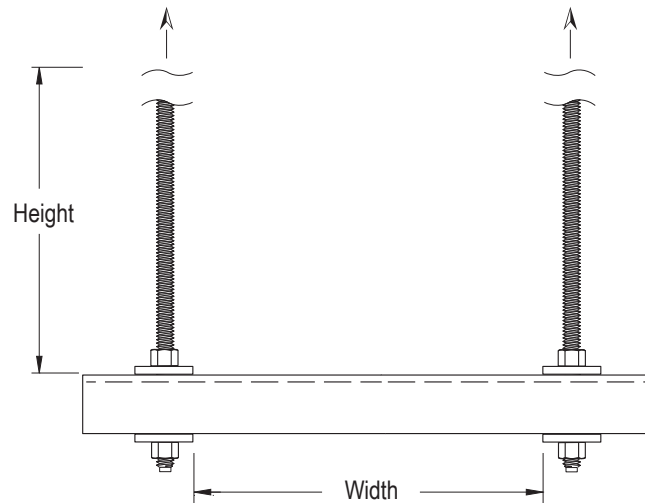


Custom Trapeze Kits



UBS can provide custom specified trapezes to your request. They can be cut to your specification and shipped kitted or fully assembled for quick installation on the job site.

Specify Trapeze width, threaded rod height, diameter, and type of channel.



Custom Assemblies and Kitting

UBS can provide custom specified assemblies to your request. They can be cut to your specification and shipped kitted or fully assembled for quick installation on the job site.

Custom Frames



Custom Punching

UBS can provide our channel with custom punching to your specifications. Short slots, long slots, various sized holes.

